



# ***HAW-EIBU***

## ***Rack Installation Guide***

***Version 1.0***

# Mounting Sony HAW-EIBU in a Rack

The instructions here apply to the all Sony HAW-EIBU Series 2U form factor models.



## Cautions

---

- \* Do not lift or move the Sony HAW-EIBU unit by the handles on the ear brackets in front. Hold the system itself.
  - \* Do not install the Sony HAW-EIBU unit into a rack without rails to support the system.
  - \* Only a qualified technician who is familiar with the installation procedure should mount and install the Sony HAW-EIBU unit.
  - \* Mount the rails to the rack using the appropriate screws and flange nuts, fully tightened, at each end of the rail.
  - \* Do not load the rails unless they are installed with screws as instructed.
  - \* The rails available for the Sony HAW-EIBU unit are designed to safely support that Sony HAW-EIBU unit when properly installed. Additional loading on the rails is at the customer's risk.
  - \* The mounting rails will support your Sony HAW-EIBU unit only if installed as instructed.
  - \* Do not install hard disk drives in the system until after placing the system in the rack.
- 

The Sony HAW-EIBU installs in a 19" equipment rack. Please examine the illustrations in this section to make sure you are using the correct type of rack.

In order to place the system in the rack, first attach the ear brackets to the front of the device. Then install the sliding rail system in the rack. Finally place the device on the sliding rails and secure it to the rack. Use only the screws and fasteners included with the shipment of the sliding rail system. This procedure is described and illustrated in the sections that follow below.

# ATTACH EAR BRACKETS TO FRONT

The shipment of the sliding rail system ships with two ear brackets, one for the left side, another for the right. These attach at the front sides of the device housing. Once the brackets are securely attached and the unit has been properly installed in the sliding rail system, these handles can be used to pull or push the device out or into the rack system, while the sliding rails support the weight of the device. **DO NOT** lift or attempt to support the weight of the Sony HAW-EIBU using the handles on the ear brackets.

## *Ear brackets shipped with device*



Attach each ear bracket at the front, on each side of the device housing, and secure with the screws included with the shipment. The handle should protrude in the direction of the front of the device. The example illustration below shows the right side.

## *Secure ear bracket to device housing - right side*



### Cautions

---

Do not lift or move the Sony HAW-EIBU unit by the handles on the ear brackets in front.

---

# INSTALL THE SLIDING RAILS AND PLACE DEVICE IN RACK

Follow these steps to install the sliding rails in the rack system, then place the Sony HAW-EIBU onto the rails and secure the device to the rack.

## *Determine which holes to use on rack*

1. Determine what height to place the 2U enclosure in the rack, then place the right and left rack rails at the same height on in the right and left rack position. Choose the mounting holes accordingly for your rack system. Note that three holes are required on each front post, the uppermost of the three to be used for the flange nuts to anchor the enclosure to the rack posts. Adjust the length of the mounting rails as needed.

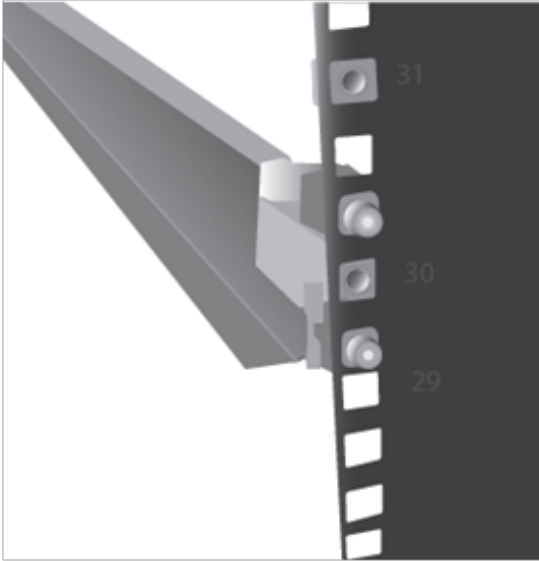
*Notice that each end of the sliding rails have a lever to operate the lock mechanism that grips the rack post.*

### **Lock release lever (back left)**



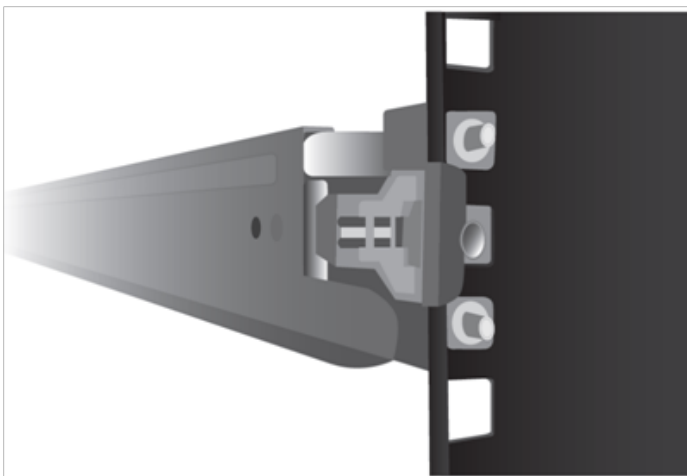
2. Secure the rails to the rack posts. Make sure the rack rails are properly oriented in the rack.

***Press lever to release lock (front right)***



3. To set the rails into the rack posts and secure the rails, follow these steps:
  - a. Press the spring lock then insert the studs into the selected square holes on the rack post.
  - b. Press the spring lock on the other end of the rail and insert the studs into the selected mounting hole on the rack post. If necessary, extend the rail to reach the post.
  - c. Use the rail screws and washers to anchor the rack rail to the post.
  - d. Make sure the rack rail is aligned, secure, stable and in the correct place.
  - e. Perform steps a through c above for the other rail.
  - f. Make sure the rack rails are aligned, secure, stable and in place.  
*See figure on next page.*

***Back left rail secured to post***



4. Use the attaching screws that came with the mounting hardware to secure the enclosure to the rack.

***Front view of Sony HAW-EIBU secured to rack and placed on rail system***

